



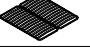






Assembly Instructions

Aidan Slipcover Bed



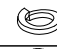


Parts

a		1PC	headboard
b		1PC	footboard
c		1PAIR	side rails
d		1PC	center rail
e		1PC	slats
f		1PC	support leg
g		1PC	slip cover

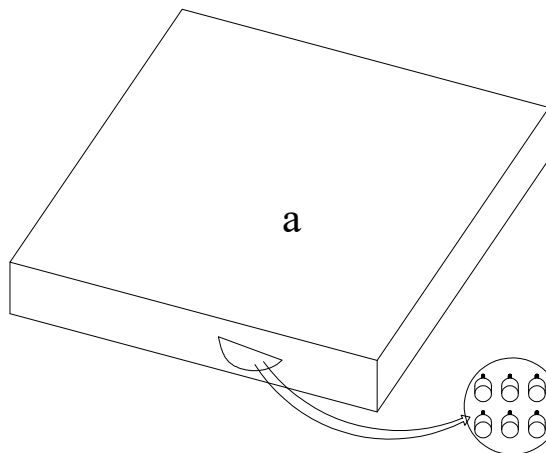
Hardware package 1

1		6PCS	in the box of headboard
2		6PCS	

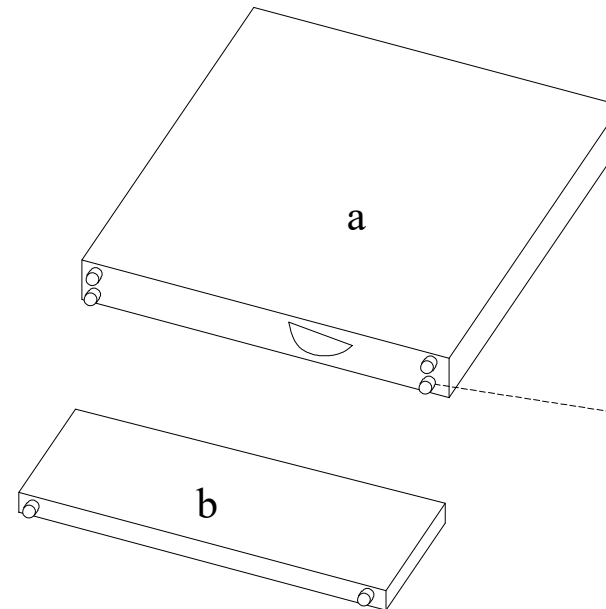
Hardware package 2

3		8PCS	M8X100	in the box of Side Rails
4		8PCS	M8	
5		8PCS	M8	
6		8PCS	M8	
7		1PCS		

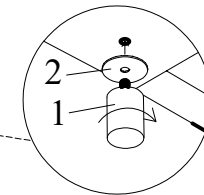
STEP 1



Take out the hardware package 1 from the headboard package.



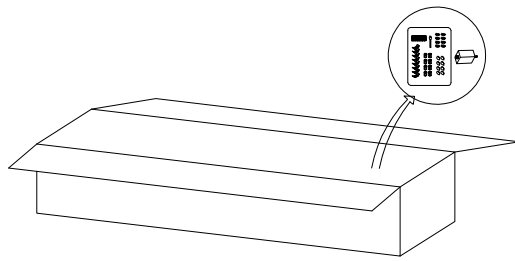
Screw the feet to the bottom of the headboard and the footboard.



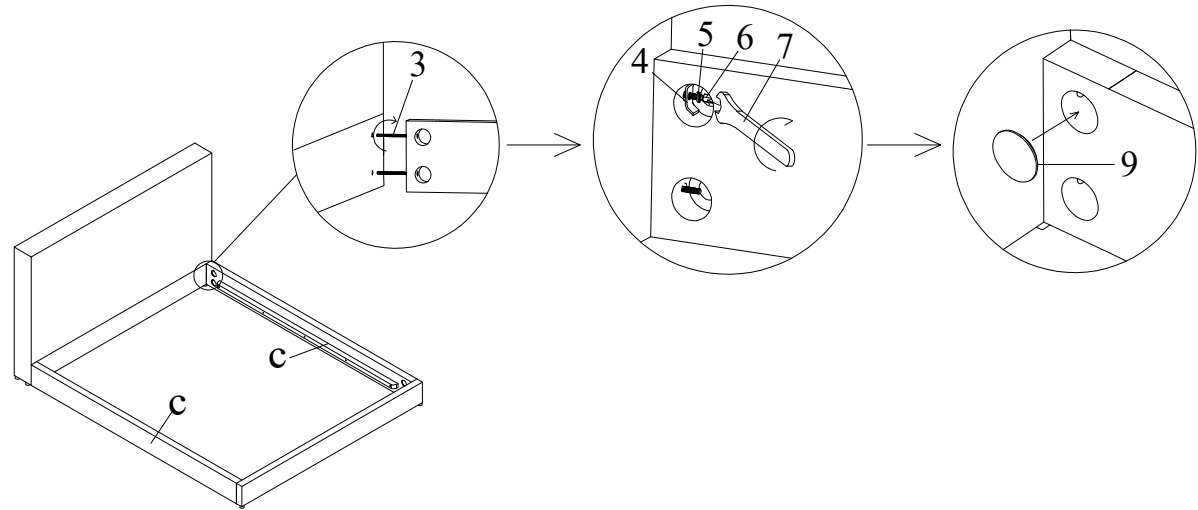
Assembly Instructions

Aidan Slipcover Bed

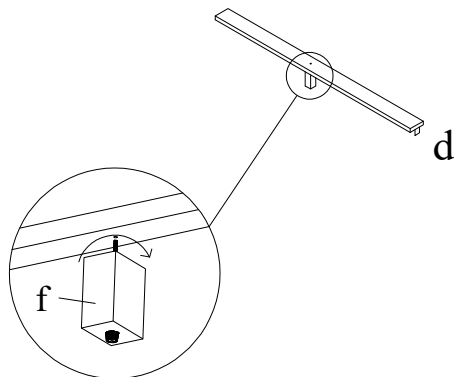
STEP 2



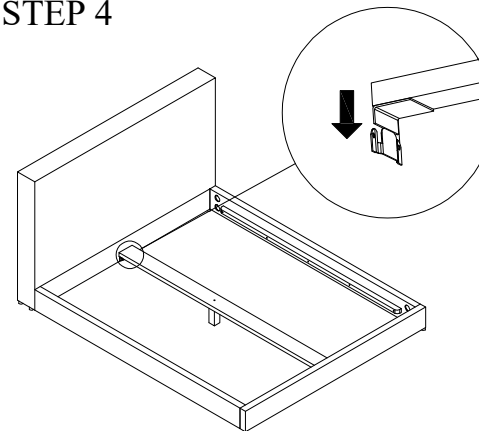
Take out the hardware package 2 from the box of Side Rails



STEP 3



STEP 4

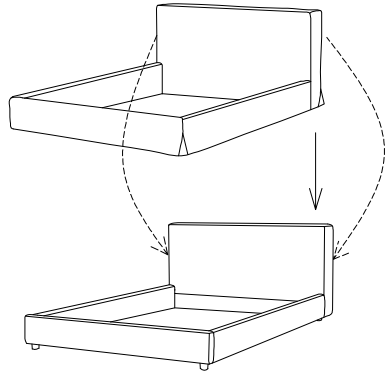


Assembly Instructions

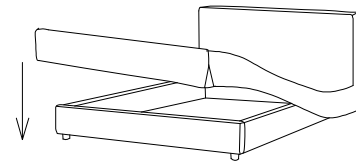
Aidan Slipcover Bed

STEP 5

Put the slip cover on the body.

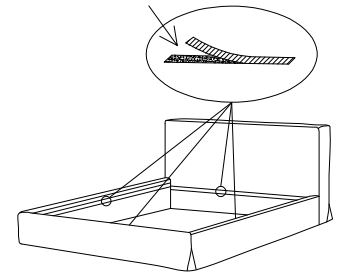


Place the cover on the headboard.
Line up cover corner seam to frame corner and pull it down.



Put the cover on the footboard.

Remove the protective strips from Velcro for fixing



STEP 6

